

PARTS LIST

[XM-PX33BU/WT]

* All printed circuit boards and its assemblies are not available as service parts.

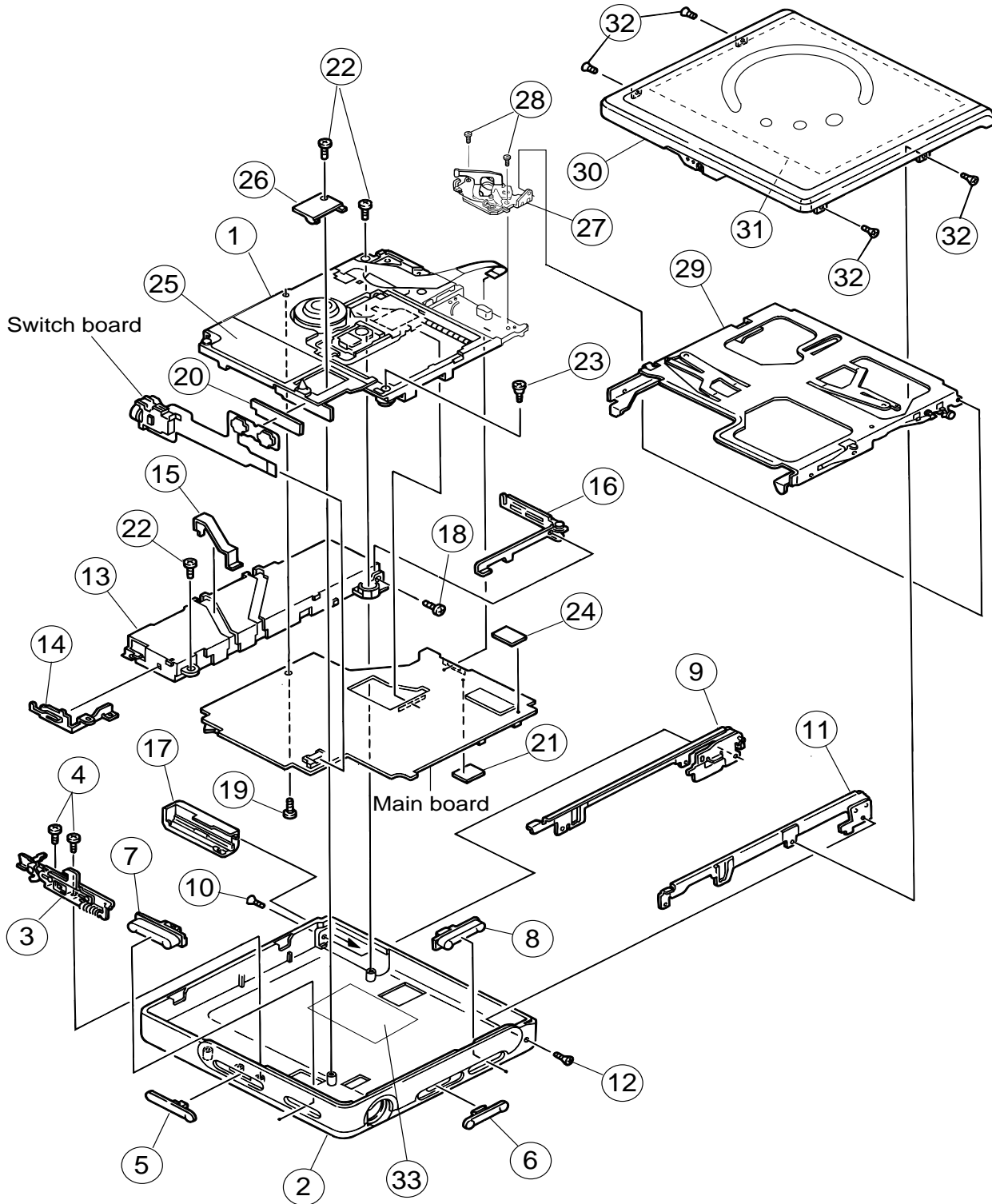
Area suffix	
UB	Hong Kong

- Contents -

Exploded view of general assembly and parts list	3-2
MD mechanism assembly and parts list	3-4
Electrical parts list	3-5
Packing materials and accessories parts list	3-8

Exploded view of general assembly and parts list

Block No. M 1 M M



Parts list(General assembly)

Block No. M1MM

△	Item	Parts number	Parts name	Q'ty	Description	Area
	1	-----	FLM-JPM	1	MECHA.OL	
	2	LV20834-008A	BOTTOM CASE ASY	1	XM-PX33WT	
		LV20834-007A	BOTTOM CASE ASY	1	XM-PX33BU	
	3	LV31804-001C	EJECT ASSY	1		
	4	LV41405-002A	MINI SCREW	2	EJECT ASSY	
	5	LV31508-003A	EJECT KNOB	1	XM-PX33BU	
		LV31508-001A	EJECT KNOB	1	XM-PX33WT	
	6	LV31509-001A	SELECT KNOB	1	XM-PX33WT	
		LV31509-003A	SELECT KNOB	1	XM-PX33BU	
	7	LV31510-003A	PLAY BUTTON	1	XM-PX33BU	
		LV31510-001A	PLAY BUTTON	1	XM-PX33WT	
	8	LV31511-001A	VOLUME BUTTON	1	XM-PX33WT	
		LV31511-003A	VOLUME BUTTON	1	XM-PX33BU	
	9	LV31515-001A	ARM(L) ASSY	1		
	10	LV41215-003A	MINI SCREW	1	ARM ASSY	
	11	LV31516-001A	ARM(R) ASSY	1		
	12	LV41215-003A	MINI SCREW	1	ARM ASSY	
	13	LV20472-006A	BATT HOLDER	1		
	14	LV31334-002A	BATT CONTACT(-)	1		
	15	LV31333-004A	CHG.CONTACT(-)	1		
	16	LV31335-005A	B.CONTACT ASSY	1		
	17	LV31514-020A	BATTERY LID	1	XM-PX33WT	
		LV31514-018A	BATTERY LID	1	XM-PX33BU	
	18	VKZ4616-008	SCREW	1	B.CONTACT ASSY	
	19	QYSPSFT1425M	MINI SCREW	1	PCB	
	20	LV41728-001A	SPACER	1	FOR SW WIRE	
	21	LV30225-054A	SPACER	1	FOR MECHA WIRE	
	22	QYSPSGU1435M	MINI SCREW	3	MECHA	
	23	LV40241-001A	SPECIAL SCREW	1	FOR MECHA	
	24	LV30225-048A	SPACER	1	FOR PCB	
	25	LV31339-003A	CAUTION LABEL	1		
	26	LV31513-001A	JACK COVER	1		
	27	LV31294-001A	EJECT UNIT	1		
	28	QYSPSFT1425M	MINI SCREW	2		
	29	LV20468-001A	HOLDER ASS'Y	1		
	30	LV20829-005A	MD DOOR ASSY	1	XM-PX33WT	
		LV20829-004A	MD DOOR ASSY	1	XM-PX33BU	
	31	LV30225-091A	SPACER	1	FOR DOOR	
	32	LV41215-003A	MINI SCREW	4	DOOR	
	33	E406507-001	LASER CAUTION	1		

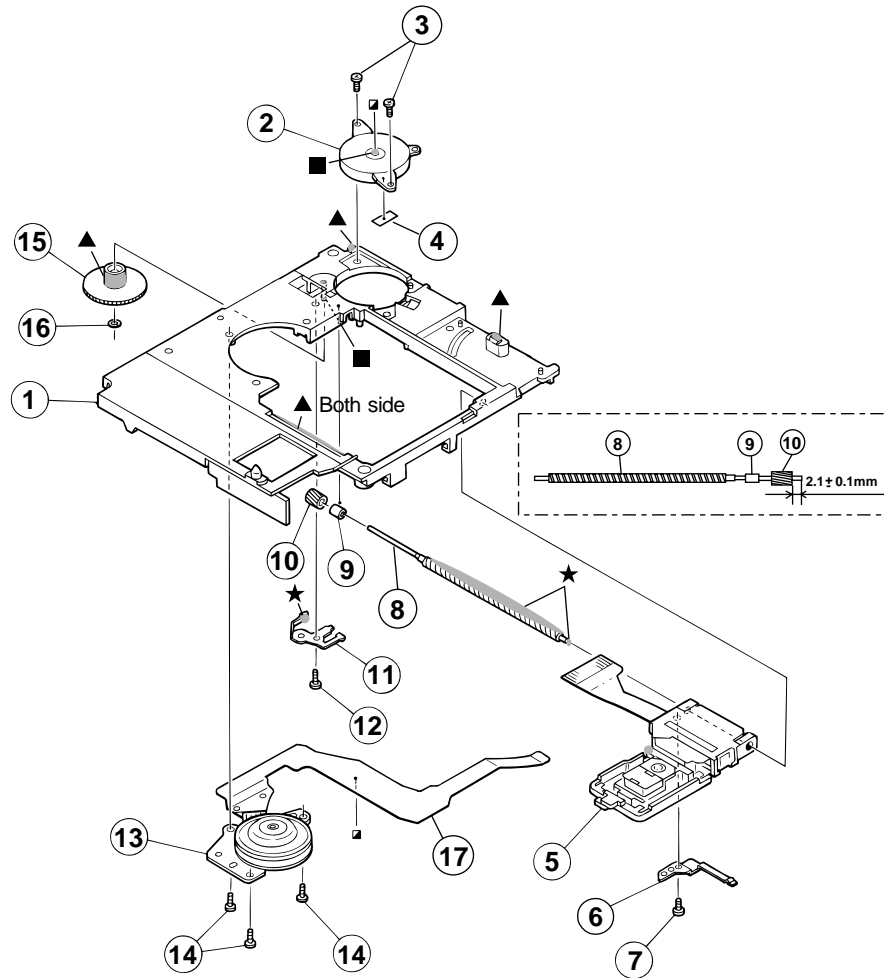
MD mechanism assembly and parts list

Block No. M 2 M M

FLM-JPM

Grease

- ★ = GL0-244
- ▲ = CFD-4007HY2
- = 948P



Parts list (MD mechanism)

Block No. M2MM

Item	Parts number	Parts name	Q'ty	Description	Area
1	VDG1080-001CHSV	MECHA CHASSIS ASS'Y	1		
2	QAR0113-001	FEED MOTOR	1		
3	QYSPSFT1425M	MINI SCREW	2		
4	LV30225-015A	SPACER	1		
5	QAL0193-002	PICK UP	1		
6	LV41130-001A	LEAD SPRING	1		
7	LV40501-001A	SPECIAL SCREW	1		
8	LV31293-002A	LEAD SCREW	1		
9	LV41132-001A	METAL	1		
10	LV41133-001A	WHEEL GEAR	1		
11	LV41134-003A	SHAFT HOLDER	1		
12	QYSPSFT1425M	MINI SCREW	1		
13	QAR0112-001	SPINDLE MOTOR	1		
14	QYSPSFT1425M	MINI SCREW	3		
15	LV41141-002A	WORM GEAR	1		
16	WDM082520	SLIT WASHER	1		
17	LVB20011-001A	PW BAORD	1		

■ Electrical parts list(Main board)

Block No. 01

△	Item	Parts number	Parts name	Remarks	Area
	C 2	NCB31EK-223X	C CAPACITOR		
	C 3	NCB31EK-223X	C CAPACITOR		
	C 4	NCB31CK-104X	C CAPACITOR		
	C 62	NCB31HK-102X	C CAPACITOR		
	C 63	NCB31HK-102X	C CAPACITOR		
	C 64	NCB31HK-102X	C CAPACITOR		
	C 65	NCB31HK-103X	C CAPACITOR		
	C 102	NCS31HJ-391X	C CAPACITOR		
	C 103	NCB21AK-105X	C CAPACITOR		
	C 111	NCB21CK-224X	C CAPACITOR		
	C 112	NCB21CK-224X	C CAPACITOR		
	C 113	NBFA0GM-157X	TS E CAPACITOR		
	C 202	NCS31HJ-391X	C CAPACITOR		
	C 203	NCB21AK-105X	C CAPACITOR		
	C 211	NCB21CK-224X	C CAPACITOR		
	C 212	NCB21CK-224X	C CAPACITOR		
	C 213	NBFA0GM-157X	TS E CAPACITOR		
	C 300	NCB31HK-103X	C CAPACITOR		
	C 301	NCB31CK-273X	C CAPACITOR		
	C 302	NCB31CK-823X	C CAPACITOR		
	C 308	NCB31HK-682X	C CAPACITOR		
	C 309	NCB21AK-105X	C CAPACITOR		
	C 310	NCB31HK-472X	C CAPACITOR		
	C 311	NCB21AK-105X	C CAPACITOR		
	C 312	NCB31CK-333X	C CAPACITOR		
	C 313	NCB31AK-224X	C CAPACITOR		
	C 314	NCB31HK-103X	C CAPACITOR		
	C 315	NCB31EK-223X	C CAPACITOR		
	C 316	NCB31CK-104X	C CAPACITOR		
	C 317	NCB31HK-682X	C CAPACITOR		
	C 318	NCB31HK-102X	C CAPACITOR		
	C 319	NBE90JM-106X	TS E CAPACITOR		
	C 320	NCB31HK-103X	C CAPACITOR		
	C 321	NCB21AK-225X	C CAPACITOR		
	C 323	NBE90JM-106X	TS E CAPACITOR		
	C 324	NBE90GM-226X	TS E CAPACITOR		
	C 325	NCB31CK-104X	C CAPACITOR		
	C 351	NBE90JM-106X	TS E CAPACITOR		
	C 352	NBE90JM-106X	TS E CAPACITOR		
	C 353	NBE90JM-106X	TS E CAPACITOR		
	C 354	NBE90JM-106X	TS E CAPACITOR		
	C 355	NCS31HJ-270X	C CAPACITOR		
	C 356	NCS31HJ-220X	C CAPACITOR		
	C 357	NBE91CM-105X	E CAPACITOR		
	C 358	NBE91CM-105X	E CAPACITOR		
	C 359	NCB31CK-104X	C CAPACITOR		
	C 360	NCB31CK-104X	C CAPACITOR		
	C 371	NCB31HK-103X	C CAPACITOR		
	C 372	NCB21CK-474X	C CAPACITOR		
	C 373	NCB21AK-105X	C CAPACITOR		
	C 374	NCB31HK-471X	C CAPACITOR		
	C 376	NCB21CK-474X	C CAPACITOR		
	C 377	NCB31EK-153X	C CAPACITOR		
	C 401	NBE90JM-106X	TS E CAPACITOR		
	C 402	NBE21CM-335X	TS E CAPACITOR		
	C 403	NCB21AK-105X	C CAPACITOR		
	C 404	NCB21AK-105X	C CAPACITOR		
	C 406	NBE20GM-336X	TS E CAPACITOR		
	C 407	NBE20GM-336X	TS E CAPACITOR		
	C 408	NBE20GM-336X	TS E CAPACITOR		
	C 409	NBE20GM-336X	TS E CAPACITOR		
	C 450	NCB31HK-472X	C CAPACITOR		
	C 454	NCB21AK-105X	C CAPACITOR		

△	Item	Parts number	Parts name	Remarks	Area
	C 455	NCB31CK-104X	C CAPACITOR		
	C 456	NCB31HK-222X	C CAPACITOR		
	C 457	NCB31HK-681X	C CAPACITOR		
	C 458	NCB31CK-473X	C CAPACITOR		
	C 459	NCB30JK-105X	C CAPACITOR		
	C 460	NCB31HK-682X	C CAPACITOR		
	C 461	NCB31EK-223X	C CAPACITOR		
	C 463	NBE90JM-106X	TS E CAPACITOR		
	C 464	NCB21AK-105X	C CAPACITOR		
	C 465	NCB31HK-151X	C CAPACITOR		
	C 467	NCB30JK-105X	C CAPACITOR		
	C 500	NCB21AK-105X	C CAPACITOR		
	C 503	NCB31CK-104X	C CAPACITOR		
	C 504	NBE90JM-106X	TS E CAPACITOR		
	C 506	NCB31CK-104X	C CAPACITOR		
	C 507	NCB31CK-104X	C CAPACITOR		
	C 590	NCB31HK-102X	C CAPACITOR		
	C 602	NBE91CM-105X	E CAPACITOR		
	C 603	NCB21AK-105X	C CAPACITOR		
	C 604	NCB11CK-105X	C CAPACITOR		
	C 613	NBE90JM-106X	TS E CAPACITOR		
	C 614	NBE90GM-475X	TS E CAPACITOR		
	C 630	NCB31HK-331X	C CAPACITOR		
	C 631	NCB31HK-331X	C CAPACITOR		
	C 901	NCB11AK-475X	C CAPACITOR		
	C 902	NCB31HK-221X	C CAPACITOR		
	C 903	NBGA0GM-226X	TS E CAPACITOR		
	C 904	NBE40JM-476X	TS E CAPACITOR		
	C 906	NCB31CK-104X	C CAPACITOR		
	C 921	NCB11AK-475X	C CAPACITOR		
	C 923	NBRF0JM-476X	TS E CAPACITOR		
	C 924	NCB31HK-151X	C CAPACITOR		
	C 941	NCB21AK-105X	C CAPACITOR		
	C 943	NBE90JM-106X	TS E CAPACITOR		
	CN300	QGF0515F4-21X	FFC CONNECTOR	PICK	
	CN301	QGF0515F4-21X	FFC CONNECTOR	PICK	
	CN401	QGF0515F3-07X	FFC CONNECTOR	MECHA	
	CN601	QGF0515F4-09X	FFC CONNECTOR	HP	
	D 400	F02J4L-X	DIODE		
	D 461	CRS01-W	SB DIODE		
	D 901	F1J2E-X	DIODE		
	D 921	CRS01-W	SB DIODE		
	D 941	CRS01-W	SB DIODE		
	D 942	1SS388-X	SB DIODE		
	IC 2	TC7S08FU-X	IC		
	IC300	CXA2588R	IC		
	IC351	CXD2661GA-1	IC		
	IC400	MPC17A139MTB-X	IC		
	IC450	CXA8069M	IC		
	IC461	XC6367B101M-X	IC		
	IC501	UPD784225GK-605	U-COM		
	IC502	AK93C45BH-W	IC		
	IC503	AK93C45BH-W	IC		
	IC504	S-80822ANNP-W	IC		
	IC601	JCV8002-W	IC		
	IC901	XC6367A241M-X	IC		
	IC921	XC6367B101M-X	IC		
	IC941	XC6367B101M-X	IC		
	K 101	NQR0129-004X	FERRITE BEADS		
	K 201	NQR0129-004X	FERRITE BEADS		
	K 601	NQR0129-004X	FERRITE BEADS		
	K 602	NQR0129-004X	FERRITE BEADS		
	K 603	NQR0129-004X	FERRITE BEADS		

■ Electrical parts list(Main board)

Block No. 01

△	Item	Parts number	Parts name	Remarks	Area
	K 604	NQR0129-004X	FERRITE BEADS		
	K 605	NQR0129-004X	FERRITE BEADS		
	K 606	NQR0129-004X	FERRITE BEADS		
	K 607	NQR0129-004X	FERRITE BEADS		
	L 301	NQL365K-100X	INDUCTOR		
	L 400	NQL114K-471X	INDUCTOR		
	L 402	NQL365K-100X	INDUCTOR		
	L 403	NQL365K-100X	INDUCTOR		
	L 404	NQL365K-100X	INDUCTOR		
	L 405	NQL365K-100X	INDUCTOR		
	L 461	NQL114K-101X	INDUCTOR		
	L 501	NQL302N-100X	INDUCTOR		
	L 602	NQL365K-220X	INDUCTOR		
	L 901	NQL32CM-220X	INDUCTOR		
	L 902	NQL114M-1R0X	INDUCTOR		
	L 921	NQL43EM-220X	INDUCTOR		
	L 941	NQL114K-101X	INDUCTOR		
	Q 60	2SA1588/G/-X	TRANSISTOR		
	Q 61	DTC144EE-X	TRANSISTOR		
	Q 63	2SC4081/QR/-X	TRANSISTOR		
	Q 64	2SC4081/QR/-X	TRANSISTOR		
	Q 300	2SB1219/RS/-X	TRANSISTOR		
	Q 301	DTA144EE-X	DIGI TRANSISTOR		
	Q 461	SSM3K01F-X	MOS FET		
	Q 901	FMMT617-X	TRANSISTOR		
	Q 904	2SA1576A/QR/-X	TRANSISTOR		
	Q 906	SSM3K01F-X	MOS FET		
	Q 921	SSM3K01F-X	MOS FET		
	Q 925	DTC144EE-X	TRANSISTOR		
	Q 926	SSM3J01F-X	FET		
	Q 941	SSM3K01F-X	MOS FET		
	Q 943	DTC144EE-X	TRANSISTOR		
	Q 944	SI2305DS-X	TRANSISTOR		
	Q 945	DTA144EE-X	DIGI TRANSISTOR		
	Q 964	SSM3J01F-X	FET		
	Q 965	DTC144EE-X	TRANSISTOR		
	Q 966	DTA143TE-X	TRANSISTOR		
	R 2	NRSA6AJ-222W	MG RESISTOR		
	R 3	NRSA6AJ-222W	MG RESISTOR		
	R 60	NRSA6AJ-472W	MG RESISTOR		
	R 61	NRSA6AJ-474W	MG RESISTOR		
	R 62	NRSA6AJ-474W	MG RESISTOR		
	R 64	NRSA6AJ-474W	MG RESISTOR		
	R 101	NRSA6AJ-223W	MG RESISTOR		
	R 103	NRSA6AJ-392W	MF RESISTOR		
	R 111	NRSA6AJ-100W	MG RESISTOR		
	R 112	NRSA6AJ-392W	MF RESISTOR		
	R 113	NRSA6AJ-103W	MG RESISTOR		
	R 201	NRSA6AJ-223W	MG RESISTOR		
	R 203	NRSA6AJ-392W	MF RESISTOR		
	R 211	NRSA6AJ-100W	MG RESISTOR		
	R 212	NRSA6AJ-392W	MF RESISTOR		
	R 213	NRSA6AJ-103W	MG RESISTOR		
	R 301	NRZ0053-R22X	MG RESISTOR		
	R 303	NRSA6AJ-124W	MG RESISTOR		
	R 304	NRSA02J-100X	MG RESISTOR		
	R 305	NRSA6AJ-331W	MG RESISTOR		
	R 306	NRSA6AJ-124W	MG RESISTOR		
	R 307	NRSA6AJ-104W	MG RESISTOR		
	R 308	NRSA6AJ-122W	MG RESISTOR		
	R 311	NRSA6AJ-103W	MG RESISTOR		
	R 314	NRSA6AJ-104W	MG RESISTOR		
	R 315	NRSA6AJ-133W	MG RESISTOR		

△	Item	Parts number	Parts name	Remarks	Area
	R 316	NRSA6AJ-243W	MG RESISTOR		
	R 317	NRSA6AJ-104W	MG RESISTOR		
	R 318	NRSA6AJ-103W	MG RESISTOR		
	R 320	NRSA6AJ-563W	MG RESISTOR		
	R 321	NRSA6AJ-331W	MG RESISTOR		
	R 322	NRSA6AJ-331W	MG RESISTOR		
	R 323	NRSA6AJ-331W	MG RESISTOR		
	R 324	NRSA6AJ-102W	MG RESISTOR		
	R 325	NRSA6AJ-331W	MG RESISTOR		
	R 326	NRSA6AJ-331W	MG RESISTOR		
	R 328	NRSA6AJ-101W	MG RESISTOR		
	R 335	NRSA6AJ-102W	MG RESISTOR		
	R 336	NRSA6AJ-102W	MG RESISTOR		
	R 337	NRSA6AJ-102W	MG RESISTOR		
	R 338	NRSA6AJ-102W	MG RESISTOR		
	R 339	NRSA63J-100X	MG RESISTOR		
	R 340	NRSA6AJ-0R0W	MG RESISTOR		
	R 341	NRSA6AJ-562W	MG RESISTOR		
	R 351	NRSA02J-100X	MG RESISTOR		
	R 352	NRSA02J-100X	MG RESISTOR		
	R 353	NRSA02J-100X	MG RESISTOR		
	R 354	NRSA6AJ-104W	MG RESISTOR		
	R 364	NRSA6AJ-101W	MG RESISTOR		
	R 366	NRSA6AJ-221W	MG RESISTOR		
	R 367	NRSA6AJ-105W	MG RESISTOR		
	R 369	NRSA6AJ-102W	MG RESISTOR		
	R 371	NRSA6AJ-103W	MG RESISTOR		
	R 372	NRSA6AJ-104W	MG RESISTOR		
	R 373	NRSA6AJ-684W	MG RESISTOR		
	R 376	NRSA6AJ-332W	MG RESISTOR		
	R 377	NRSA6AJ-102W	MG RESISTOR		
	R 378	NRSA6AJ-105W	MG RESISTOR		
	R 379	NRSA6AJ-102W	MG RESISTOR		
	R 380	NRSA6AJ-151W	MG RESISTOR		
	R 385	NRSA6AJ-103W	MG RESISTOR		
	R 386	NRSA6AJ-103W	MG RESISTOR		
	R 387	NRSA6AJ-103W	MG RESISTOR		
	R 388	NRSA6AJ-103W	MG RESISTOR		
	R 400	NRSA6AJ-104W	MG RESISTOR		
	R 401	NRSA6AJ-0R0W	MG RESISTOR		
	R 402	NRSA6AJ-100W	MG RESISTOR		
	R 450	NRSA6AJ-223W	MG RESISTOR		
	R 451	NRSA6AJ-223W	MG RESISTOR		
	R 452	NRSA6AJ-0R0W	MG RESISTOR		
	R 454	NRSA6AJ-104W	MG RESISTOR		
	R 455	NRZ0053-R22X	MG RESISTOR		
	R 459	NRSA6AJ-105W	MG RESISTOR		
	R 460	NRSA63J-225X	MG RESISTOR		
	R 461	NRSA6AJ-473W	MG RESISTOR		
	R 462	NRSA6AJ-0R0W	MG RESISTOR		
	R 465	NRSA6AJ-683W	MG RESISTOR		
	R 466	NRSA6AD-104W	MG RESISTOR		
	R 467	NRSA6AD-563W	MG RESISTOR		
	R 468	NRSA6AJ-151W	MG RESISTOR		
	R 501	NRSA6AJ-473W	MG RESISTOR		
	R 502	NRSA6AJ-153W	MG RESISTOR		
	R 503	NRSA6AJ-183W	MG RESISTOR		
	R 504	NRSA6AJ-473W	MG RESISTOR		
	R 506	NRSA6AJ-224W	MG RESISTOR		
	R 507	NRSA6AJ-273W	MG RESISTOR		
	R 508	NRSA6AJ-222W	MG RESISTOR		
	R 509	NRSA6AJ-104W	MG RESISTOR		
	R 510	NRSA63J-103X	MG RESISTOR		

■ Electrical parts list(Main board)

Block No. 01

△	Item	Parts number	Parts name	Remarks	Area
	R 511	NRSA6AJ-474W	MG RESISTOR		
	R 512	NRSA6AJ-474W	MG RESISTOR		
	R 513	NRSA6AJ-474W	MG RESISTOR		
	R 514	NRSA6AJ-474W	MG RESISTOR		
	R 517	NRSA6AJ-102W	MG RESISTOR		
	R 527	NRSA6AJ-104W	MG RESISTOR		
	R 528	NRSA6AJ-104W	MG RESISTOR		
	R 530	NRSA6AJ-102W	MG RESISTOR		
	R 601	NRSA6AJ-104W	MG RESISTOR		
	R 603	NRSA6AJ-104W	MG RESISTOR		
	R 604	NRSA6AJ-104W	MG RESISTOR		
	R 605	NRSA6AJ-101W	MG RESISTOR		
	R 607	NRSA6AJ-101W	MG RESISTOR		
	R 613	NRSA6AJ-4R7W	MG RESISTOR		
	R 901	NRSA6AJ-562W	MG RESISTOR		
	R 902	NRSA6AJ-0R0W	MG RESISTOR		
	R 908	NRSA6AJ-684W	MG RESISTOR		
	R 909	NRSA6AJ-274W	MG RESISTOR		
	R 921	NRSA6AJ-0R0W	MG RESISTOR		
	R 922	NRSA6AJ-104W	MG RESISTOR		
	R 924	NRSA6AD-822W	MG RESISTOR		
	R 925	NRSA6AJ-474W	MG RESISTOR		
	R 926	NRSA6AJ-472W	MG RESISTOR		
	R 928	NRSA6AD-104W	MG RESISTOR		
	R 929	NRSA6AD-683W	MG RESISTOR		
	R 941	NRSA6AJ-0R0W	MG RESISTOR		
	R 943	NRSA6AJ-472W	MG RESISTOR		
	R 944	NRSA6AJ-474W	MG RESISTOR		
	R 945	NRSA6AD-124W	MG RESISTOR		
	R 946	NRSA6AD-154W	MG RESISTOR		
	R 947	NRSA6AJ-221W	MG RESISTOR		
	R 965	NRSA6AJ-474W	MG RESISTOR		
	R 966	NRSA6AJ-472W	MG RESISTOR		
	R 967	NRSA6AJ-220W	MG RESISTOR		
	S 60	NSW0108-001X	DETECT SWITCH		
	S 501	NSW0117-001X	SLIDE SWITCH		
	S 502	NSW0114-001X	TACT SWITCH		
	S 503	NSW0114-001X	TACT SWITCH		
	X 300	NAX0315-001X	CRYSTAL		
	X 500	NAX0275-001X	C OSCILLATOR		

■ Electrical parts list(Switch board)

Block No. 02

△	Item	Parts number	Parts name	Remarks	Area
	J 101	QNS0098-002	3.5 JACK		
	S 504	NSW0059-001X	TACT SWITCH		
	S 505	NSW0059-001X	TACT SWITCH		

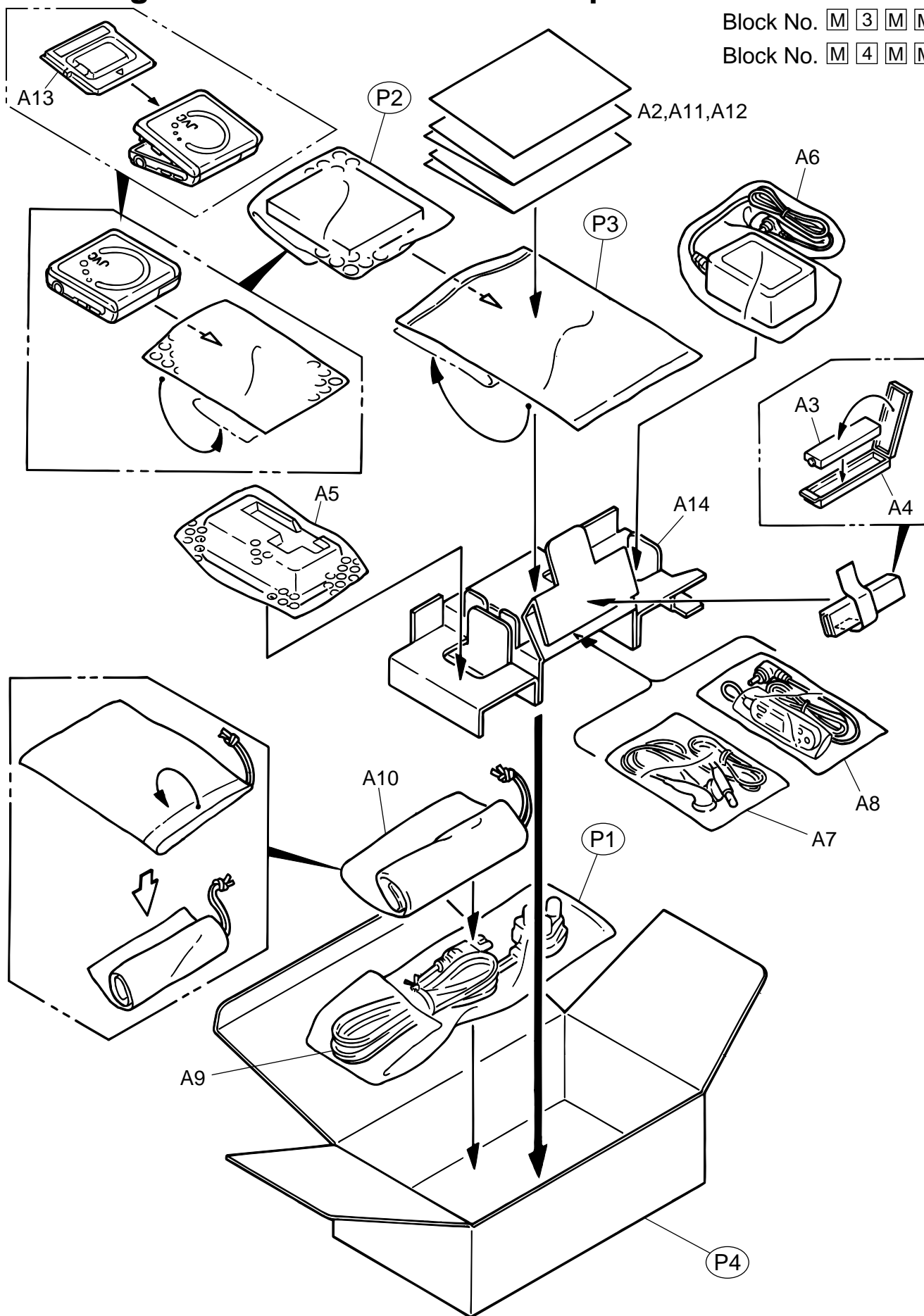
Packing materials and accessories parts list

Block No.

M	3	M	M
---	---	---	---

Block No.

M	4	M	M
---	---	---	---



■ Parts list(Packing)

Block No. M3MM

△	Item	Parts number	Parts name	Q'ty	Description	Area
	P 1	QPA01503503	POLY BAG	1	FOR P.CORD	
	P 2	LV30245-003A	POLY BAG	1	AIR-CAP BAG	
	P 3	LV31153-001A	BARRIER BAG	1		
	P 4	LV32188-001A	CARTON	1	XM-PX33BU	
		LV32188-002A	CARTON	1	XM-PX33WT	

■ Parts list(Accessories)

Block No. M4MM

△	Item	Parts number	Parts name	Q'ty	Description	Area
	A 1	LVT0549-001A	INST BOOK	1		
	A 2	LV41751-002A	CAUTION SHEET	1		
	A 3	QAB0024-004	NI-MH BATTERY	1	1400MAH	
	A 4	LV30791-001A	BATTERY CASE	1		
△	A 5	QAL0226-002	BATTERY CHAGER	1		
△	A 6	QAL0133-001	AC P ADAPTOR	1	AA-R9020	
	A 7	QAN0021-005	HEAD PHONE	1	XM-PX33BU	
		QAN0021-006	HEAD PHONE	1	XM-PX33WT	
	A 8	QAL0211-015	REMOCON ASSY	1	XM-PX33WT	
		QAL0211-014	REMOCON ASSY	1	XM-PX33BU	
△	A 9	QMPP060-183-JD	POWER CORD	1		
	A 10	LV31637-001A	SOFT CASE	1	BZ26459-01	
	A 11	LV31129-001A	CAUTION SHEET	1		
	A 12	LV30258-050A	UB SHEET	1	FOR UB MODEL	
	A 13	LV31739-001A	MD SPACER ASSY	1		
	A 14	LV31930-002A	PAPER CUSHION	1	FOR CARTON	